

Solar Light can create a [PMA2180 Custom Digital Sensor](#) for virtually any wavelength and bandwidth. Bandwidth is given as the Full Width at Half Maximum response. Most configurations will come with a teflon dome diffuser. Some configurations will require a different type of diffuser. If the chart doesn't list what you need, please contact us. Custom sensors are our specialty!



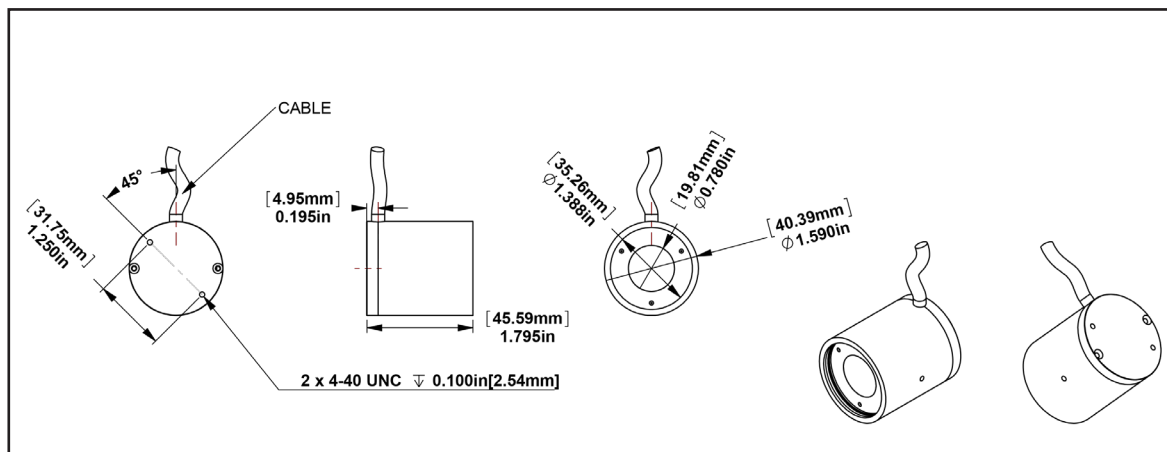
Applications

- Narrowband Radiometry
- Clinical Studies
- Phototherapy

Features and Benefits

- High Sensitivity
- NIST Traceable Calibration
- Excellent Long-Term Stability
- Selectable Units

Standard Chassis



Est. Weight: 4 oz. (113 g)

CENTER WAVELENGTH	BANDWIDTH
250	10
253.7	10, 25, 40
260	10
265	10, 25
270	10
280	10, 25
289	10
296.7	10
300	10, 25, 40
302	N/A
307.1	10, 25
310	10
320	10
326.1	*3, 10, 25
330	10
334	10
337.1	*3, 10
340	10, 25
350	10, 25, 40
360	10
365	*5, 10, 25
370	10
380	10
390	10
400	10, 20, 40, 70
404.7	*5, 10
405	N/A
410	10
415	10
420	10
425	N/A
430	10
435.8	*5, 10
440	10
450	10, 20, 40, 80
460	10

CENTER WAVELENGTH	BANDWIDTH
470	10
480	10
486.1	10
488	*1, *3, 10
490	10
492	N/A
500	10, 20, 40, 80
510	10
514.5	*1, *3, 10
520	10
530	10
532	*1, *3, 10
540	10
546	*5, 10
550	10, 20, 40, 80
560	10
570	10
577	*5, 10
578	N/A
580	10
589	10
590	10
600	10, 20, 40, 80
610	10
620	10
630	10
632.8	*1, *3, 10
633	N/A
640	10
647.1	*1, *3, 10
650	10, 20, 40, 80
656.3	*1, *3, 10
660	10
670	10
680	10
690	10

CENTER WAVELENGTH	BANDWIDTH
694.3	*1, *3, 10
700	10, 20, 40, 80
710	10
720	10
730	10
740	10
750	10, 20, 40, 100
760	10
766.5	*1, *3, 10
770	10
780	10, 20
790	10
800	10, 20, 40, 100
810	10, 20
820	10
830	10, 20
840	10
850	*5, 10
860	10, 20, 40, 100
870	10
880	10
890	10
900	10, 20, 40, 100
905	*1, *3, 10
910	10
920	10
930	1, 3, 10
940	10
950	10, 20, 40, 100
960	10
970	10
980	10
990	10
1000	10, 20, 40, 100

Part Number: 210026

Revision Level: B

Specifications subject to change without notice.

*Available With Reduced Range

Since 1967, Solar Light Company, LLC has been recognized worldwide as America's premier manufacturer of Precision Solar Simulators and Light Sources, Light Measurement Instrumentation, UV Transmittance Analyzers, Meteorological Instrumentation, and Digital and Analog Sensors. Our advanced line of UV, visible, and IR radiometers and light meters measure laboratory, industrial, environmental, and health related light levels with NIST traceable accuracy. Column ozone, aerosol, and water vapor thickness measurements, in addition to long-term global ultraviolet radiation studies all over the world are performed using our atmospheric line of instrumentation. Solar Light also provides NIST traceable spectroradiometric analyses, calibrations for light meters and light sources, accelerated ultraviolet radiation degradation testing of materials, and OEM instrumentation and monitors. Please visit our website for more details, specifications, and pictures!



State Of The Art Solar Simulators available in 150-1000+ watt UV or AM variations for a variety of applications including PV Cell Testing, Materials Testing, Pre-Irradiation for *In Vitro* Broad Spectrum Sunscreen Testing, SPF Testing, and much more.



Multi-Functional Professional Grade Radiometers available with and without data logging, and compatible with over 130 Solar Light PMA-Series Sensors to measure UV, Visible and IR wavelengths. Specialty Meters also available to measure UV Radiation, SUV/UVA, Scotopic/Photopic Spectra, and much more.



Advanced NIST-Traceable Sensors for accurate measurement of UVA, UVB, UVA+B, UVC, Visible, IR, Photostability, Temperature, and Custom Wavelength – well over 130 models in both digital and analog configurations, all compatible with our Radiometers.



Ultraviolet Transmittance Analyzers available as complete integrated turnkey systems to meet the latest ISO24443 requirements.



Handheld Ozonometers and Sunphotometers for fast and dependable Column Ozone, Aerosol, and Water Vapor Thickness measurements, in addition to long-term global ultraviolet radiation studies.