

Solar Light's innovative **DCS-2 Automatic Dose Controller** and Meter represents the state of the art methodology required in today's busy testing laboratories. It measures the spectral response following the Erythema Action Spectrum and UVA Spectrum to allow accurate dose control when measuring SPF values *in vivo*, or during *in vitro* PMMA plate pre-irradiation. It is also capable of controlling PV Cell Testing procedures and Materials Testing studies. The unit is extremely simple to use, and dramatically reduces the number of keystrokes required to set up and run typical testing procedures. The 7" (17.8 cm) touch sensitive screen features intuitive menus and makes it easy to set control parameters. Pre-programmed data from our intelligent PMA-Series sensors eliminates the need to input offsets, calibration data, and units, and saving even more valuable time. In the event of a fault arising during a run cycle, the DCS-2 provides a visual fault indication, and automatically closes the simulator's shutter, reducing the chances of false reporting.



### Applications

- *In Vivo* SPF Testing
- *In Vitro* PMMA Plate Irradiation
- PV Cell Testing
- Materials Testing
- Biological Research

### Features and Benefits

- Uniformity tests to meet ISO and FDA requirements
- Maximum intensity measurements
- Multiple languages: English, Spanish, French, Korean, Japanese, and Chinese
- Compatible with all new Solar Light simulators, as well as several older generations
- Dramatically reduces the amount of keystrokes required for applications
- Large touch screen is easy to read at almost any angle

### Several Automated Programs Built into the Controller Include:

- PMMA plate pre-irradiation *in vitro* to meet ISO24443 and FDA requirements
- Sunscreen testing *in vivo* to meet ISO24442 and FDA requirements
- Accelerated UV testing of materials / fade and color fastness testing
- Phototoxicity studies
- General biological laboratory research
- Photovoltaic cell testing

SPECIFICATIONS	
Power Supply	84-250VAC
Sensor Inputs	2
Display	7" Touch Screen
Operating Environment	32 to 120 °F (0 to +50 °C)
Width	9.5" (241mm)
Height	3.5" (89mm)
Depth	8.5" (216mm)
Weight	2.1 lbs. (930g)

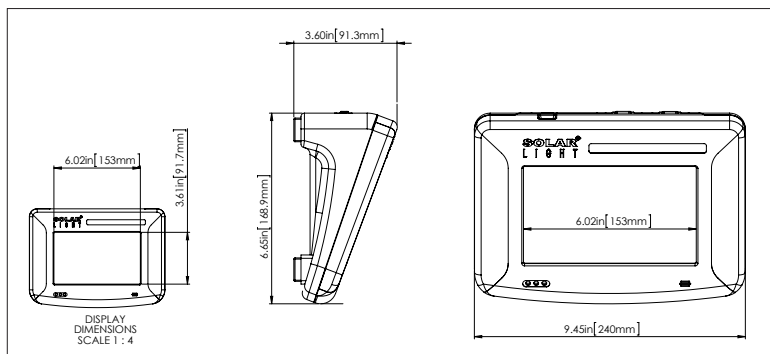
Part Number: 210108

Revision Level: B

Specifications subject to change without notice.

\*U.S. Pat. 5,946,641 and U.S. Pat. 5,790,432

### Automatic Does Control Meter (DCS-2)



Est. Weight: 2.1lbs (930g)

Since 1967, Solar Light Company, LLC has been recognized worldwide as America's premier manufacturer of Precision Solar Simulators and Light Sources, Light Measurement Instrumentation, UV Transmittance Analyzers, Meteorological Instrumentation, and Digital and Analog Sensors. Our advanced line of UV, visible, and IR radiometers and light meters measure laboratory, industrial, environmental, and health related light levels with NIST traceable accuracy. Column ozone, aerosol, and water vapor thickness measurements, in addition to long-term global ultraviolet radiation studies all over the world are performed using our atmospheric line of instrumentation. Solar Light also provides NIST traceable spectroradiometric analyses, calibrations for light meters and light sources, accelerated ultraviolet radiation degradation testing of materials, and OEM instrumentation and monitors. Please visit our website for more details, specifications, and pictures!



**State Of The Art Solar Simulators** available in 150-1000+ watt UV or AM variations for a variety of applications including PV Cell Testing, Materials Testing, Pre-Irradiation for In Vitro Broad Spectrum Sunscreen Testing, SPF Testing, and much more.



**Multi-Functional Professional Grade Radiometers** available with and without data logging, and compatible with over 130 Solar Light PMA-Series Sensors to measure UV, Visible and IR wavelengths. Specialty Meters also available to measure UV Radiation, SUV/UVA, Scotopic/Photopic Spectra, and much more.



**Advanced NIST-Traceable Sensors** for accurate measurement of UVA, UVB, UVA+B, UVC, Visible, IR, Photostability, Temperature, and Custom Wavelength – well over 130 models in both digital and analog configurations, all compatible with our Radiometers.



**Ultraviolet Transmittance Analyzers** available as complete integrated turnkey systems to meet the latest ISO24443 requirements.



**Handheld Ozonometers and Sunphotometers** for fast and dependable Column Ozone, Aerosol, and Water Vapor Thickness measurements, in addition to long-term global ultraviolet radiation studies.